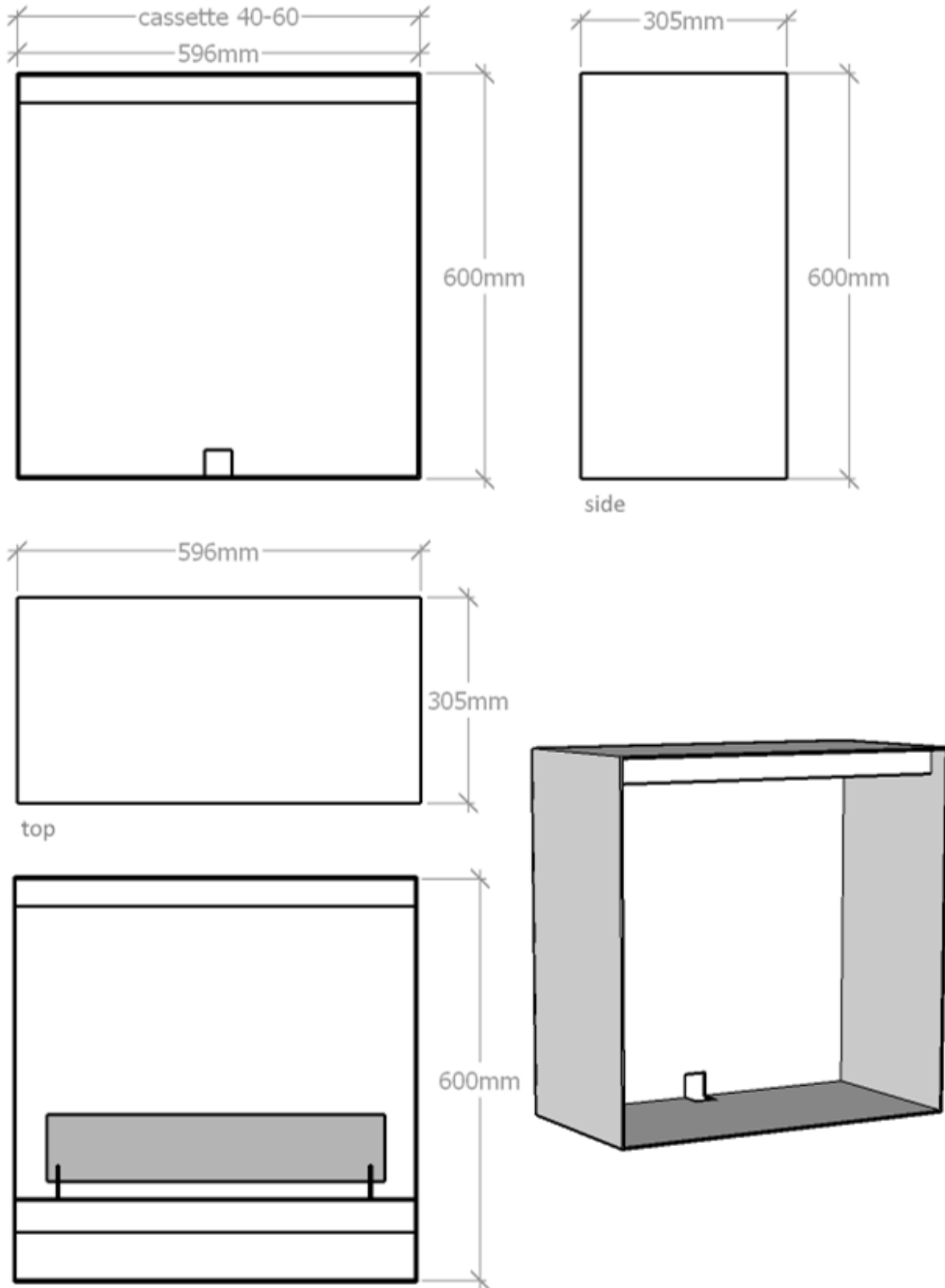
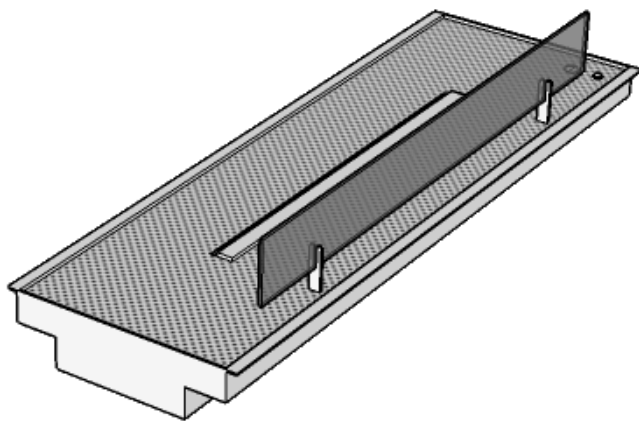
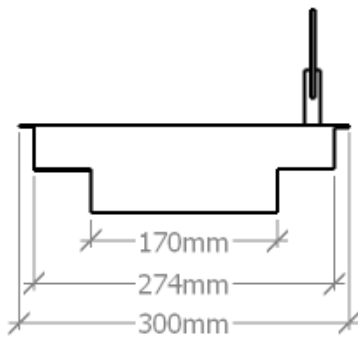
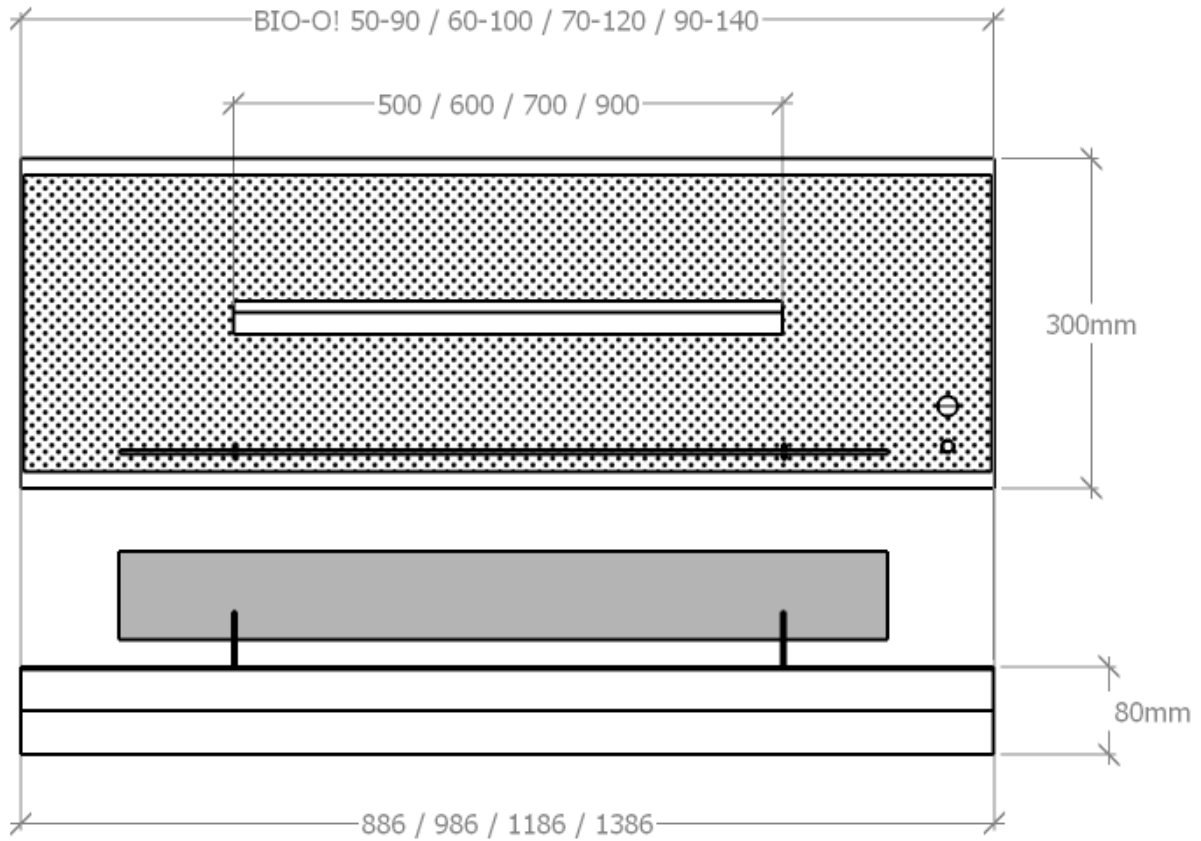


System	Opening <sup>1</sup>	Weight kg	Consumption ml/h	Power kW
BIO-O! 40-60	592x282	7	570	3,5

<sup>1</sup>Size of the opening to be made in the case of a recessed setup

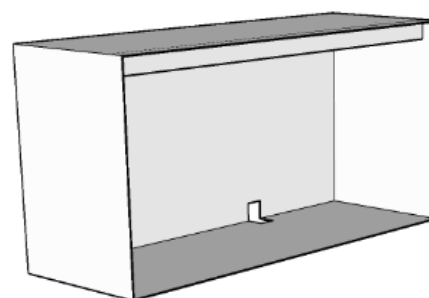
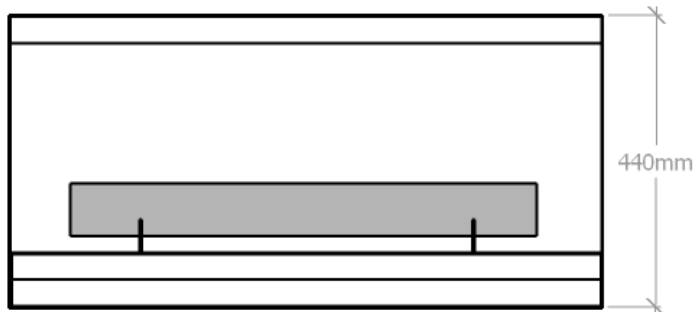
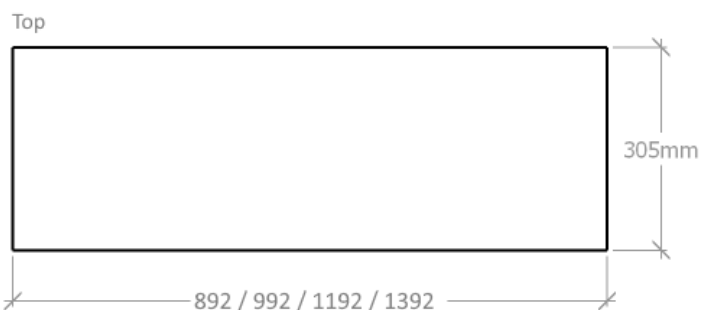
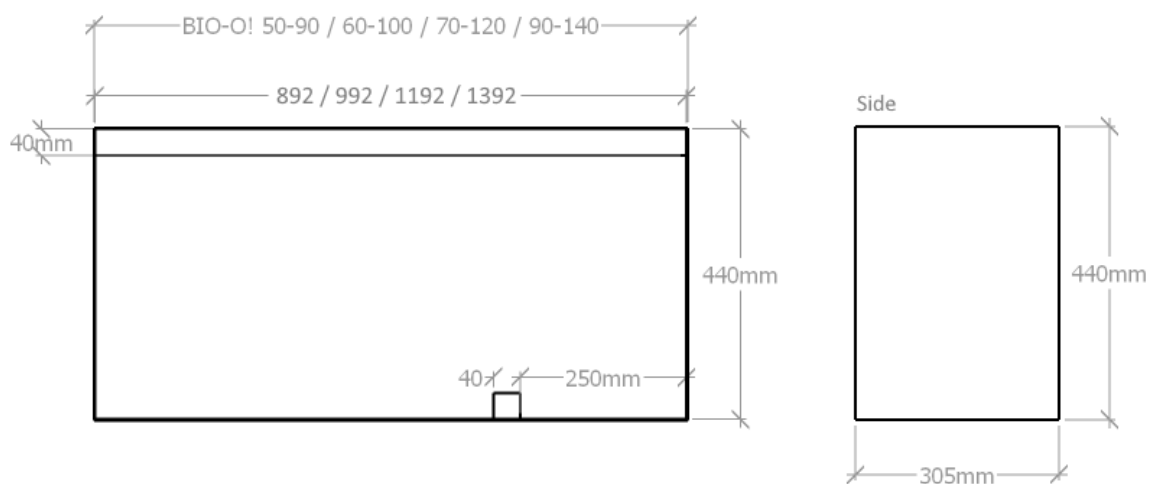


System	Weight kg
BIO-O! 40-60	20



Systems	Opening <sup>1</sup>	Weigth kg	Consumption ml/h	Power kW
BIO-O! 50-90	888x282	9	500	2,9
BIO-O! 60-100	988x282	10	570	3,5
BIO-O! 70-120	1188x282	11	665	4,1
BIO-O! 90-140	1388x282	12	870	5,3

<sup>1</sup>Size of the opening to be made in the case of a recessed setup



Systems	Weigth kg
BIO-O! 50-90	22
BIO-O! 60-100	24
BIO-O! 70-120	27
BIO-O! 90-140	31